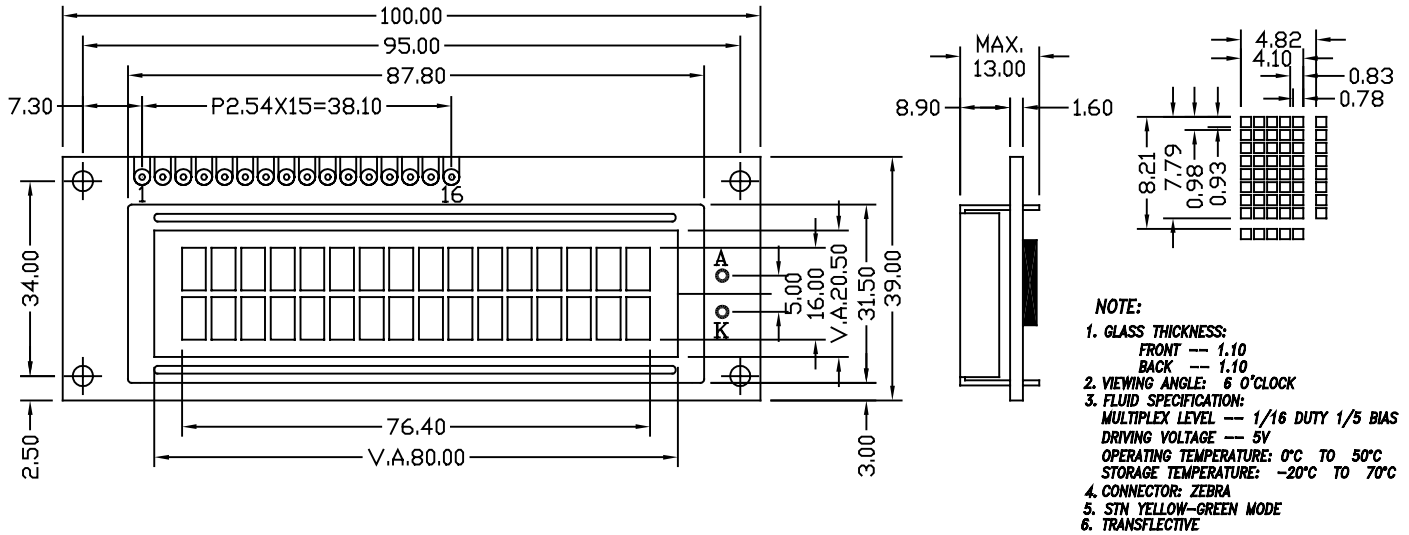


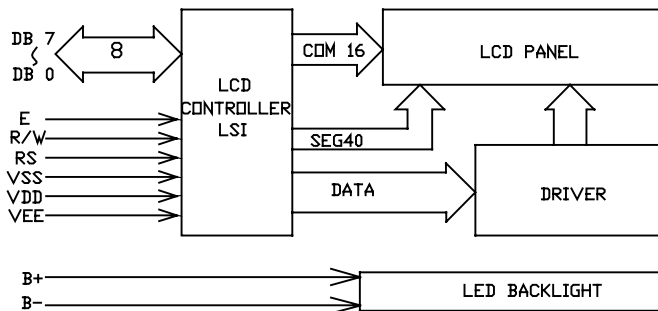
## ① EXTERNAL DIMENSION



## ② MECHANICAL DATA

ITEM	SPECIFICATION	UNIT
Module Size (W X H X T)	100.0 X 39.0 X 13.0	mm
Viewing Area (W X H)	80.0 X 20.5	mm
Internal Area (W X H)	76.4 X 16.0	mm
Dot Pitch (W X H)	0.83 X 0.98	mm
Dot Size (W X H)	0.78 X 0.93	mm
Character Pith (WXH)	4.82 X 8.21	mm
Character Size (W X H)	4.10 X 7.79	mm
Number of Character	16 Character x 2 Line	Char

## ④ BLOCK DIAGRAM



## ③ PIN CONFIGURATION

ITEM	SYMBOL	LEVEL	DESCRIPTION
1	VSS	L	Power GND
2	VDD	H	Power Positive
3	VEE	L	Voltage For LCD PANEL Drive
4	RS	H/L	Register Select
5	R/W	H/L	Read/Write Select
6	E	H/L	Read/Write Enable
7	DB0	H/L	Data Bus
8	DB1	H/L	
9	DB2	H/L	
10	DB3	H/L	
11	DB4	H/L	
12	DB5	H/L	
13	DB6	H/L	
14	DB7	H/L	
15	K		LED BACKLIGHT -
16	A		LED BACKLIGHT +

## ⑤ ABSOLUTE MAXIMUM RATINGS(25°C)

PARAMETER	SYMBOL	MIN.	MAX.	UNIT
Supply Voltage Logic	V <sub>DD</sub>	-0.3	+7.0	V
Supply Voltage Driver	V <sub>LCD</sub>	V <sub>DD</sub> -15.0	V <sub>DD</sub> +0.3	V
Input Voltage	V <sub>IN</sub>	-0.3	V <sub>DD</sub> +0.3	V