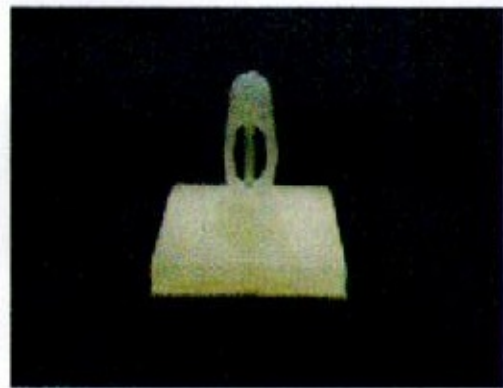


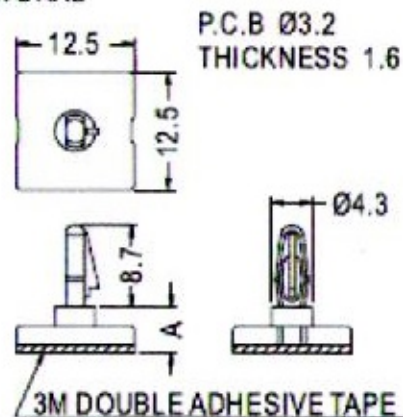
JSS-xx

PC板間隔柱 SPACER SUPPORT

✦用途:背膠式,用於不能鑽孔之機板與PC板間之固定。



- ◆ MATERIAL: NYLON 66 (UL)
- ◆ FLAME CLASS : 94V-2
- ◆ COLOR: NATURAL
- ◆ UNIT: mm



PART NO	A	PACKAGE
JSS-4.8	4.8	500
JSS-6.4	6.4	
JSS-8.4	8.4	
★ JSS-11	11.5	
JSS-15.9	15.9	