



**Feature -**

Function selection of multi-position products  
Signal selection of audios

**特色 -**

多接點、多迴路切換  
一般音響信號切換

**Applications -**

Audio, public audio system

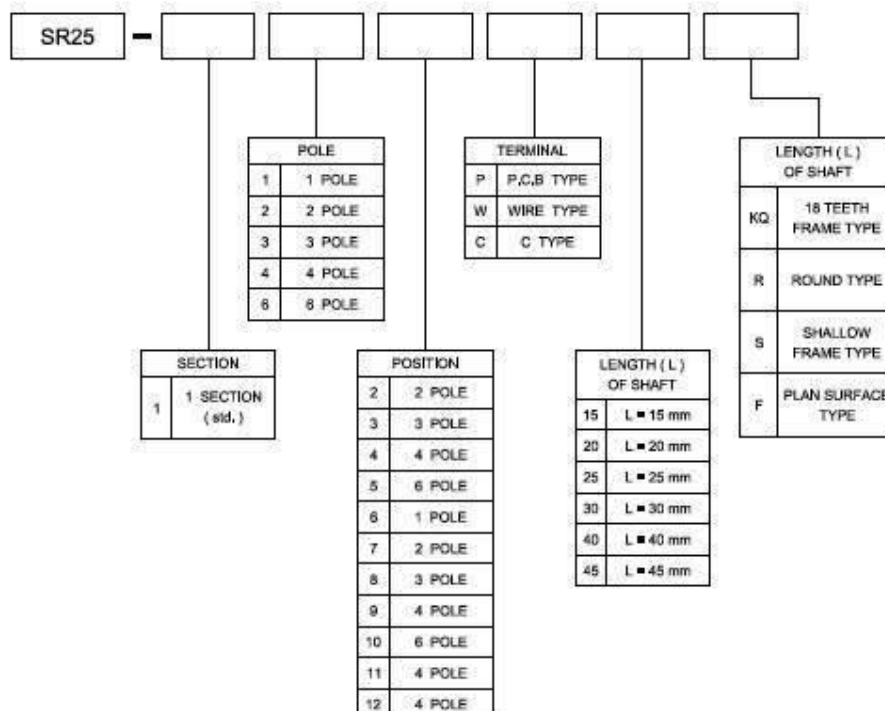
**適用 -**

音響、廣播系統、  
調音量、調光

### ► SPECIFICATIONS

SWITCH SPECIFICATIONS	
POLE - POSITION	Function selection of multi-position products
CONTACT RATING	125 V AC , 0.3 A
CONTACT RESISTANCE	30 mΩ Max . on DC 5V 1A Measured by Voltage Decreasing Method or Measured by 1 KHZ 2 mV Max .
INSULATION RESISTANCE	100 MΩ min . 500 V DC for 1 minute
DIELECTRIC STRENGTH	Breakdown Is not Allowable ; 500 V AC for 1 Minute
ROTATION TORQUE	1.0 ± 0.5 kgf.cm
OPERATING LIFE	10,000 cycles
OPERATING TEMPERATURE RANGE	-10°C ~ 70°C

### ► HOW TO ORDER

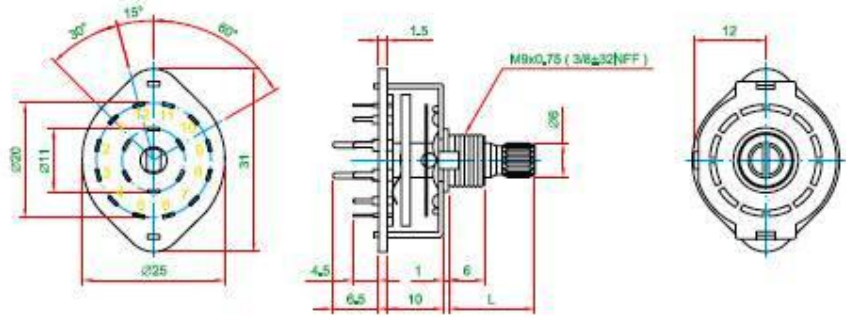


# SR25 SERIES

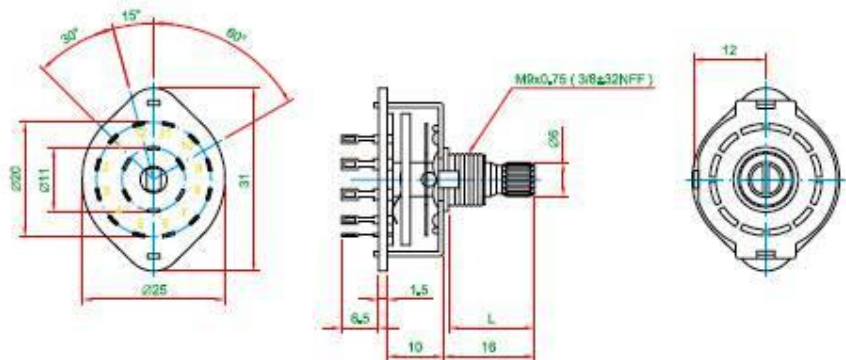
ROTARY SWITCH

## ► DIMENSION 尺寸

SR25 - 1 - 2 - 6P - □KQ



SR25 - 1 - 2 - 6W - □KQ



## ► SHAFT 旋軸

KQ	18 TEETH FRAME TYPE	R	ROUND TYPE	S	SHALLOW FRAME TYPE	F	PLAN SURFACE TYPE