

Model No.	SLQM4X1WCxx
REV.	

4x1W Power LED Circular Module

Descriptions:

- Green light source, fast response
- Long life, easy installation
- LED model number: SLQM4X1WCxx

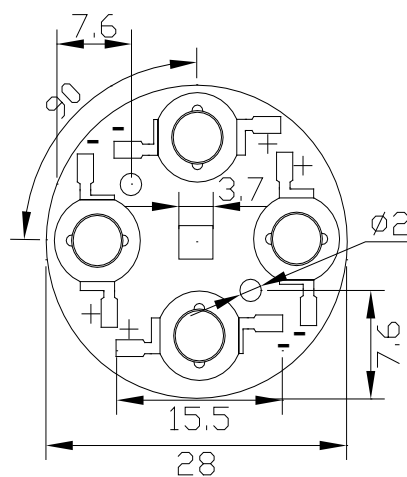
Features:

- Available in white and warm white
- High lumen output
- Big emitting angle
- Superior ESD protection
- Superior UV resistance

Application:

- Small space lighting
- Mechanical equipment lights

Product Picture and Dimensions:



Unit: mm
Tolerance: ± 0.3 mm

Model No.	SLQM4X1WCxx
REV.	

Device Selection Guide

Model No.	Color	Color Temperature (Typ.)	Overall Luminous Flux
SLQM4X1WCBC	Warm white	3000K	340lm
SLQM4X1WCBN	Nature White	4000K	340lm
SLQM4X1WBP	White	6500K	360lm

Absolute Maximum Ratings(Ta=25°C)

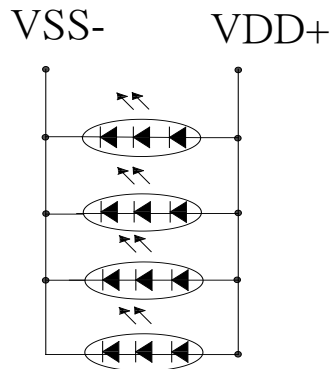
Items	Symbol	Values	Units
Operating Supply Range(DC)	Vidc	11.4	V
Input Current (DC)	Ii	600	mA
Power Dissipation	Pa	6.8	W
Operating Temperature	Tope	-10 ~ +40	DegC
Storage Temperature	Tstg	-20 ~ +80	DegC

Typical Performance (Ta=25°C)

Items	Symbol	Min.	Typ.	Max.	Units
LED Module Power	Pm	-	4.8	6.8	W
Input Voltage(DC)	Vi	-	10	11.4	V
Product Input Current	If	-	480	600	mA
Beam Pattern	BP	-	120	-	Deg
PCB Diameter	Lmod.	-	28	-	mm
Net Weight	Wei.	---	6	---	g

Model No.	SLQM4X1WCxx
REV.	

Product Circuit



Product Handling

- Please do not use a force of over 3kgf impact or pressure on the silicone lens, otherwise it will cause a catastrophic failure.
- The LEDs should only be picked up by making contact with the sides of the LED body.
- Avoid touching the silicone lens especially by sharp tools such as Tweezers.
- Avoid leaving fingerprints on the silicone lens.
- Please store the LEDs away from dusty areas or seal the product against dust.
- When populating boards in SMT production, there are basically no restrictions regarding the form of the pick and place nozzle, except that mechanical pressure on the silicone lens must be prevented.
- Please do not mold over the silicone lens with another resin. (epoxy, urethane, etc)

